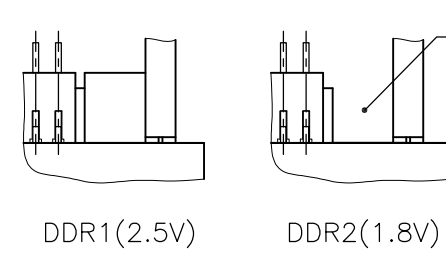
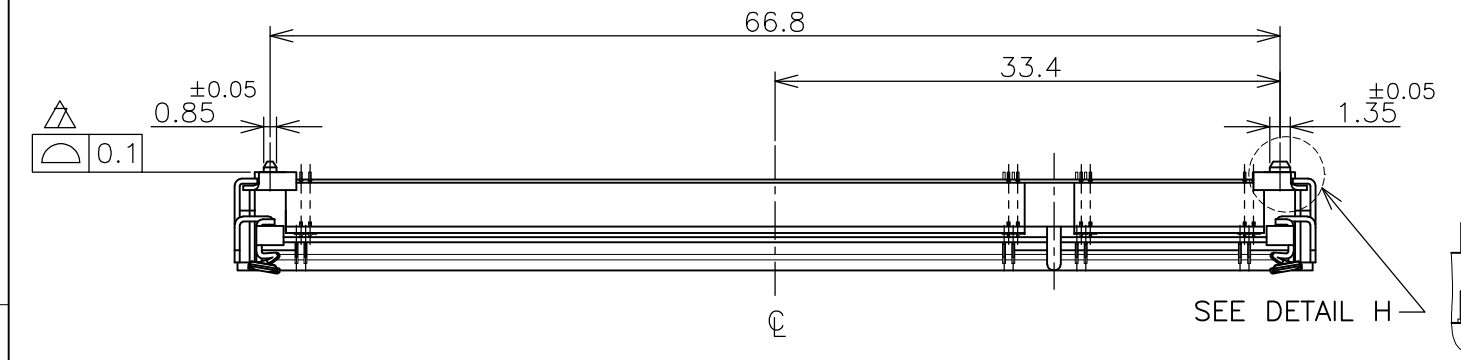
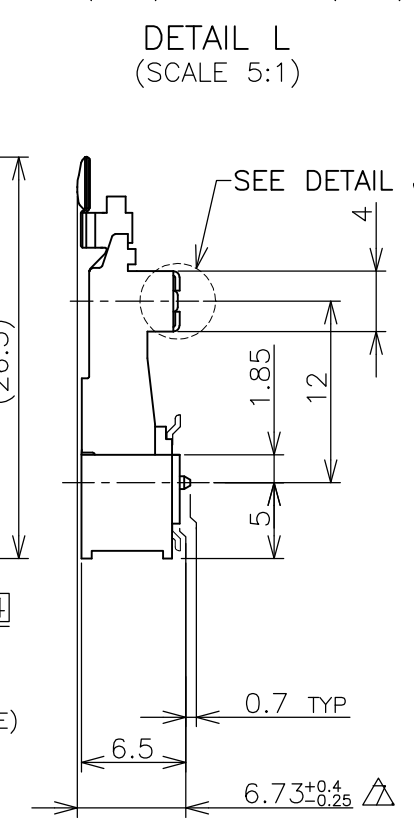
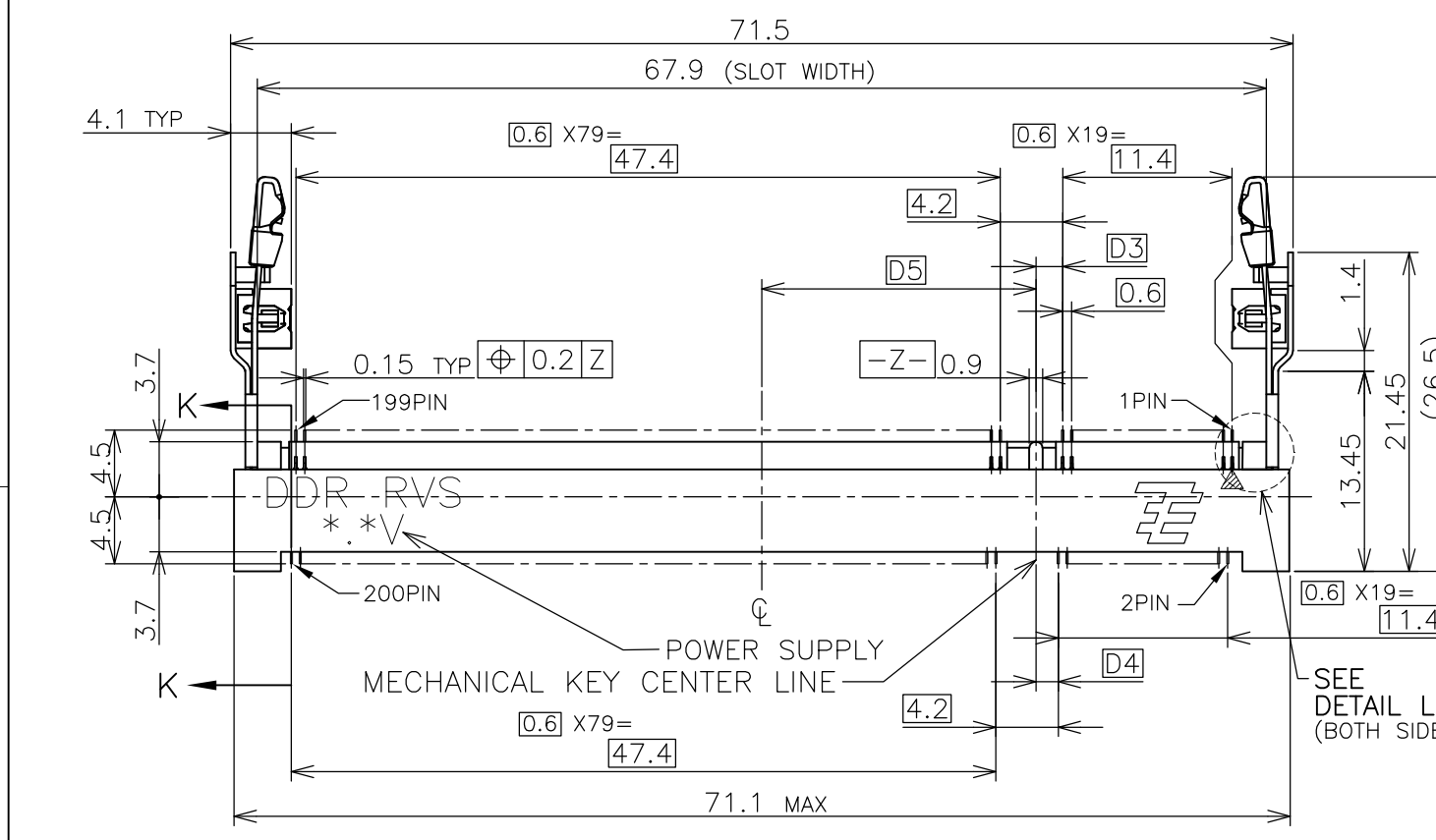
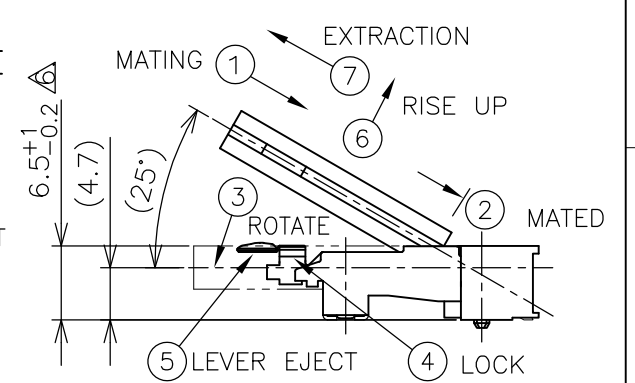


THIS DRAWING IS UNPUBLISHED. RELEASED FOR PUBLICATION JUL ,2002.  
 © COPYRIGHT 2002 By - ALL RIGHTS RESERVED.

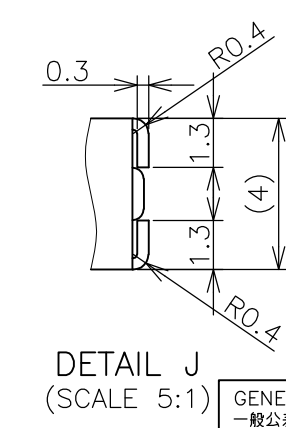
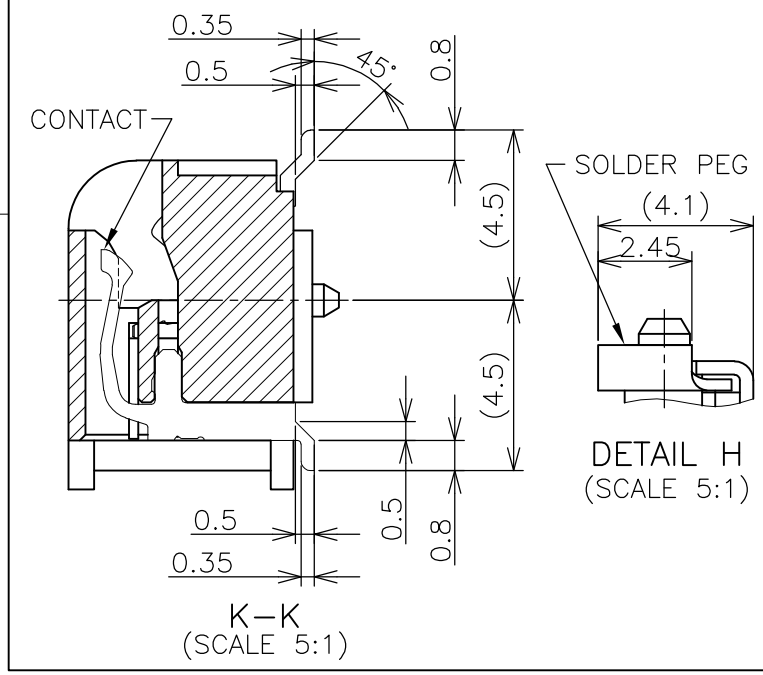
LOC	DIST	REVISIONS			
P	LTR	DESCRIPTION	DATE	DWN	APVD
J		G2	REVISED PER ECO-11-005033	29MAR11	RK HMR



**HOW TO MATE AND UNMATE**  
 MATE: ① → ④  
 UNMATE: ⑤ → ⑦



- (APPLIED TO SHEET 1-2)
- MATERIAL; HOUSING: HIGH TEMPERATURE THERMO PLASTIC UL94V-0  
 CONTACT: COPPER ARROY  
 LOCK LEVER: STAINLESS STEEL  
 SOLDER PEG: COPPER ARROY
  - FINISH; CONTACT AREA: GOLD FLASH ON 0.0013 MIN ALL OVER NICKEL.  
 SOLDERING AREA: GOLD FLASH PLT.  
 SOLDER PEG: TIN PLATING.
- ⚠ MECHANICAL KEY POSITION OF CONNECTOR SEE TABLE.
  - ⚠ TOLERANCES NON-CUMULATIVE.
  - ⚠ NOT TO SCALE.
  - ⚠ DASHED INSIDE MUST BE RESIST COAT EXCEPT SOLDER PATTERN.
  - ⚠ COPLANARITY: 0.1 MAX.
  - ⚠ THE FLOATING VALUE BY SOLDERING IS NOT INCLUDED.
  - ⚠ NOT MATING CONDITION.
- 10 IF THE MODULE DOESN'T INSERT AND LOCK IN THE LATCH SMOOTHLY, OPEN WIDE BOTH LATCHES BY MANUAL. AND THE MODULE MUST BE INSERTED AND LOCKED IN THE LATCH.



GENERAL TOLERANCE  
 一般公差

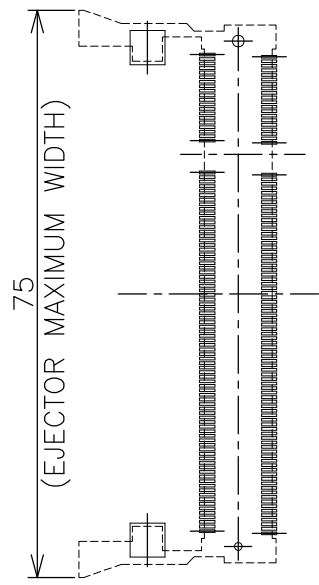
10 ≥ : ±0.2  
 30 ≥ > 10: ±0.25  
 100 ≥ > 30: ±0.3  
 ANGLES: ±3°

AVAILABLE	HOUSING COLOR: GRAY	1.8V (DDR2)	17.55	2.4	2.7	200	5-1612773-4
AVAILABLE	HOUSING COLOR: BLACK BOSSLESS	1.8V (DDR2)	17.55	2.4	2.7	200	1-1612773-4
AVAILABLE	HOUSING COLOR: BLACK	1.8V (DDR2)	17.55	2.4	2.7	200	1612773-4
AVAILABLE	HOUSING COLOR: GRAY	2.5V (DDR1)	18.45	1.5	1.8	200	5-1612773-1
NOT AVAILABLE	HOUSING COLOR: BLACK	2.5V (DDR1)	18.45	1.5	1.8	200	1612773-1
TOOLING STATUS	REMARK	POWER SUPPLY (TYPE)	D5	D4	D3	POS	PART NO.
THIS DRAWING IS A CONTROLLED DOCUMENT.		DWN	B.WONG		20JUL10		
		CHK	C.WANG		20JUL10		
		APVD	S.YAO		20JUL10		
DIMENSIONS: mm		TOLERANCES UNLESS OTHERWISE SPECIFIED:		NAME			
0 PLC ±		1 PLC ±		DWN B.WONG			
2 PLC ±		3 PLC ±		CHK C.WANG			
4 PLC ±		ANGLES ±		APVD S.YAO			
FINISH				PRODUCT SPEC			
MATERIAL				108-5701			
				APPLICATION SPEC			
				NAME			
				DDR1 & DDR2 SODIMM SOCKET			
				0.6mm PITCH 200POS			
				6.5 HEIGHT REVERSE TYPE			
				SIZE	CAGE CODE	DRAWING NO	RESTRICTED TO
				WEIGHT	A300779	C-1612773	
				CUSTOMER DRAWING			
				SCALE	SHEET	REV	
				2:1	1 OF 4	G2	

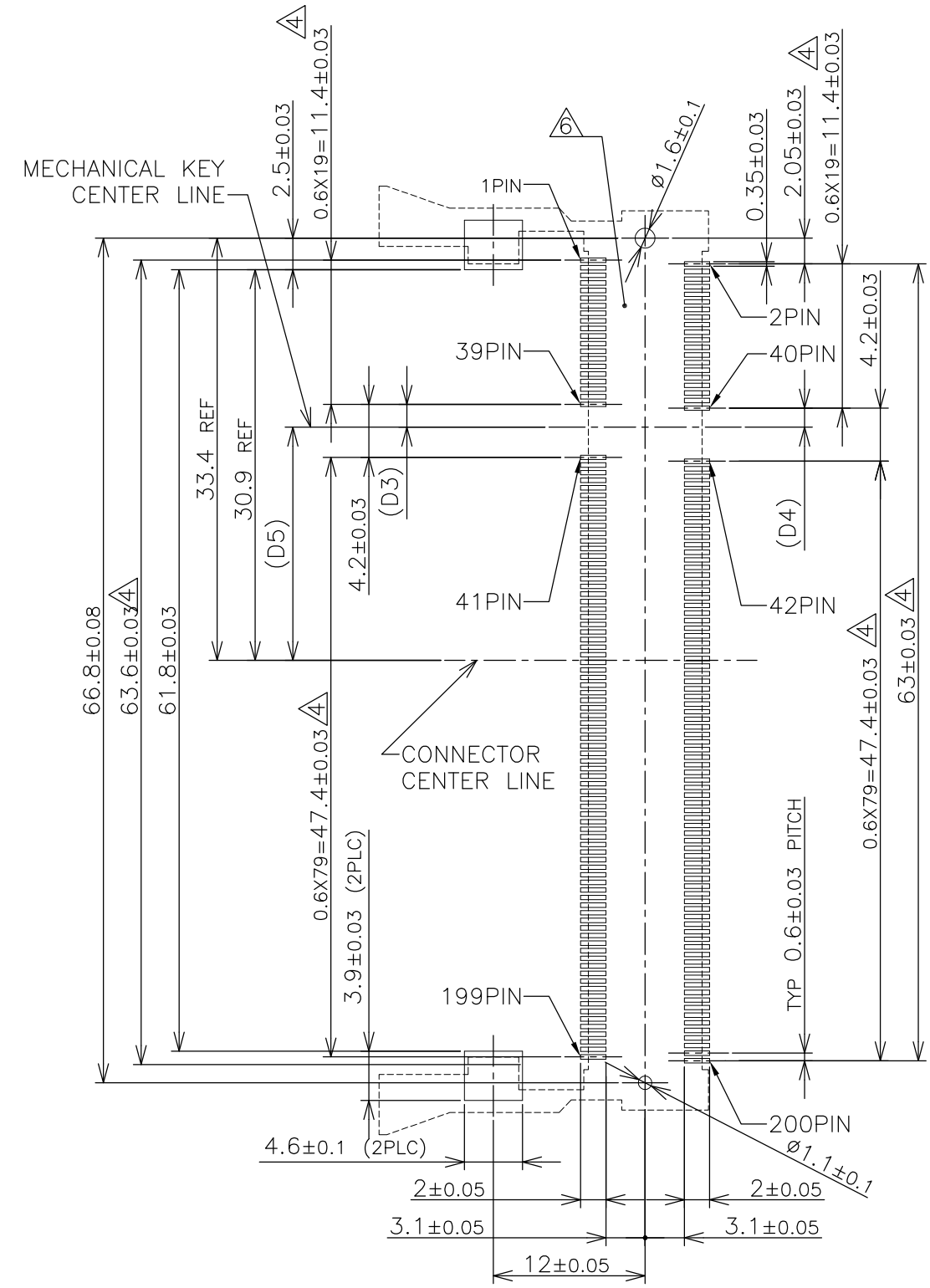
THIS DRAWING IS UNPUBLISHED. RELEASED FOR PUBLICATION JUL ,2002.  
 © COPYRIGHT 2002 By - ALL RIGHTS RESERVED.

LOC	DIST	REVISIONS					
J		P	LTR	DESCRIPTION	DATE	DWN	APVD
		-		SEE SHEET 1	-	-	-

### REFERENCE P.C. BOARD PATTERN LAYOUT (CONNECTOR MOUNTING SIDE)



REAL SIZE (SCALE 1:1)

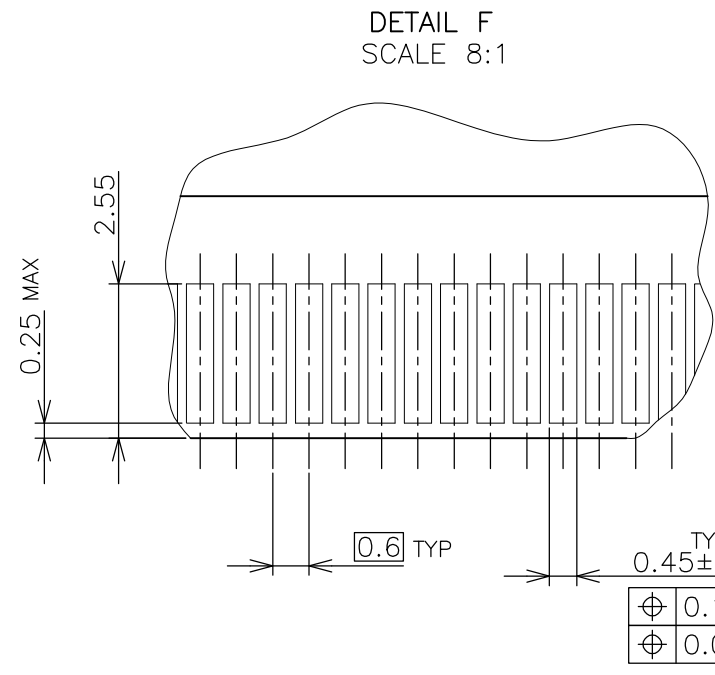
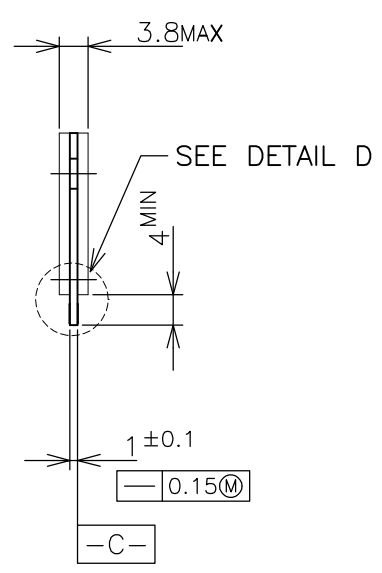
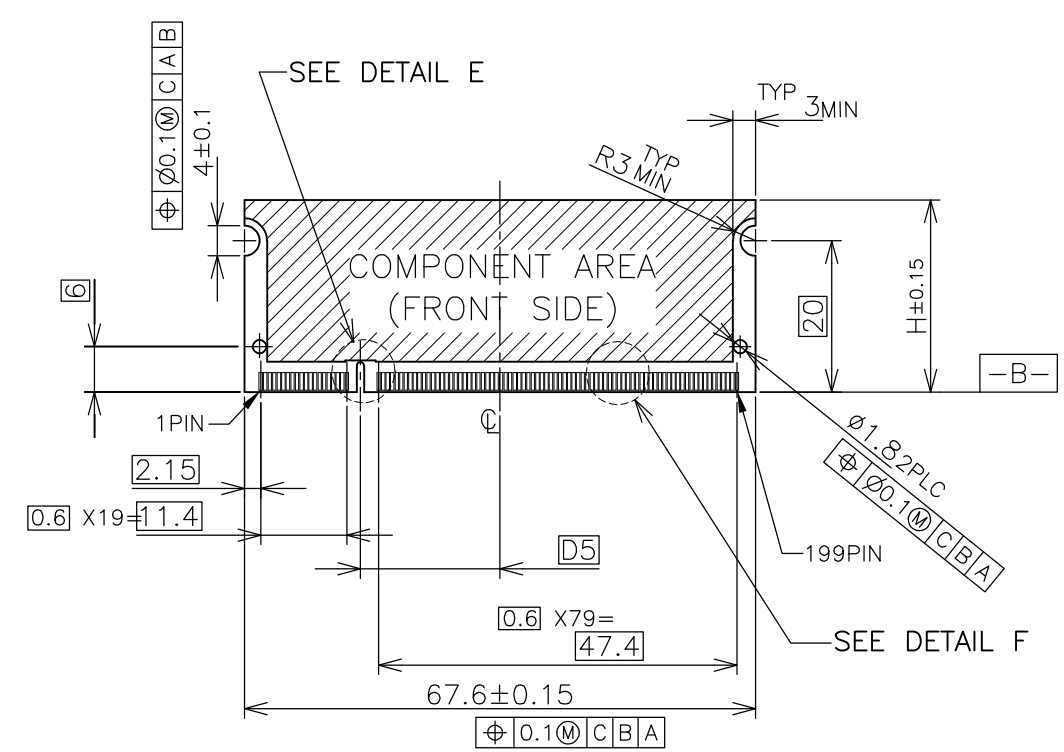


1.8V	17.55	2.4	2.7
2.5V	18.45	1.5	1.8
POWER SUPPLY	D5	D4	D3

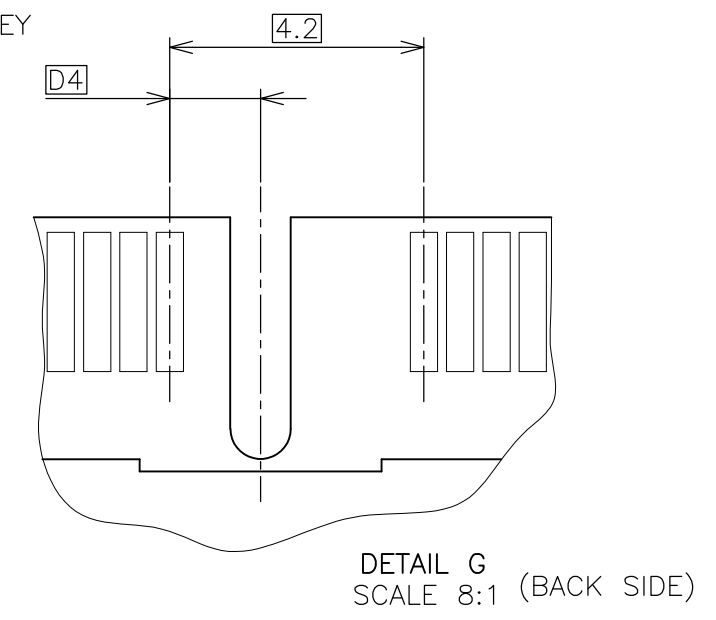
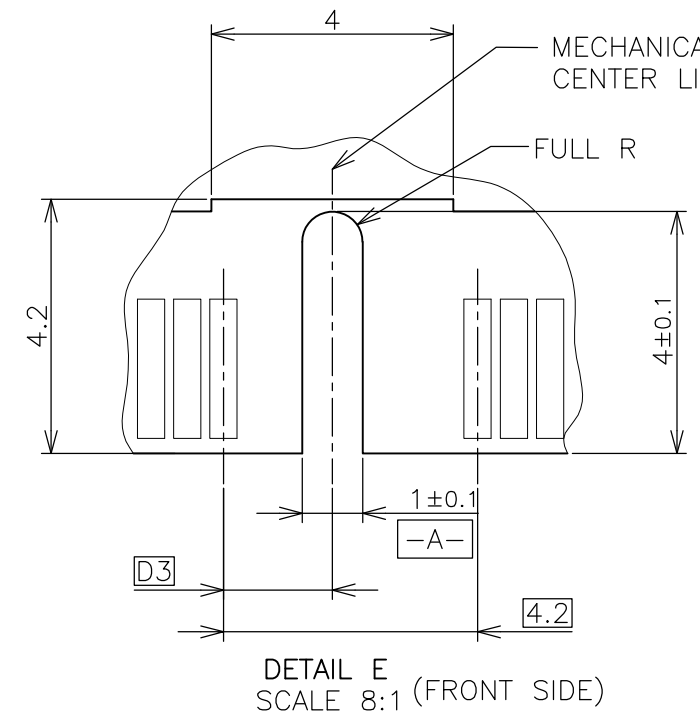
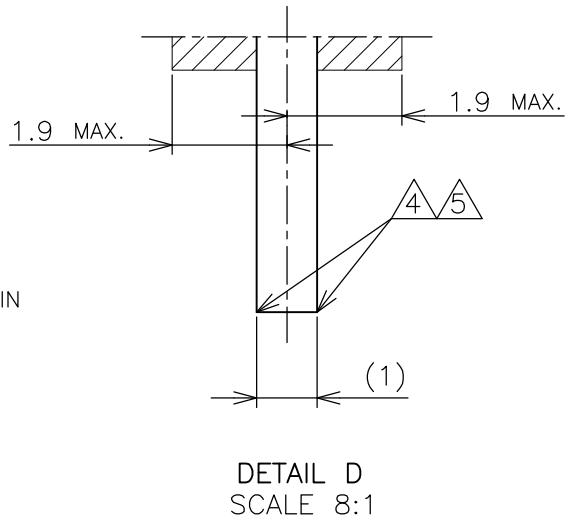
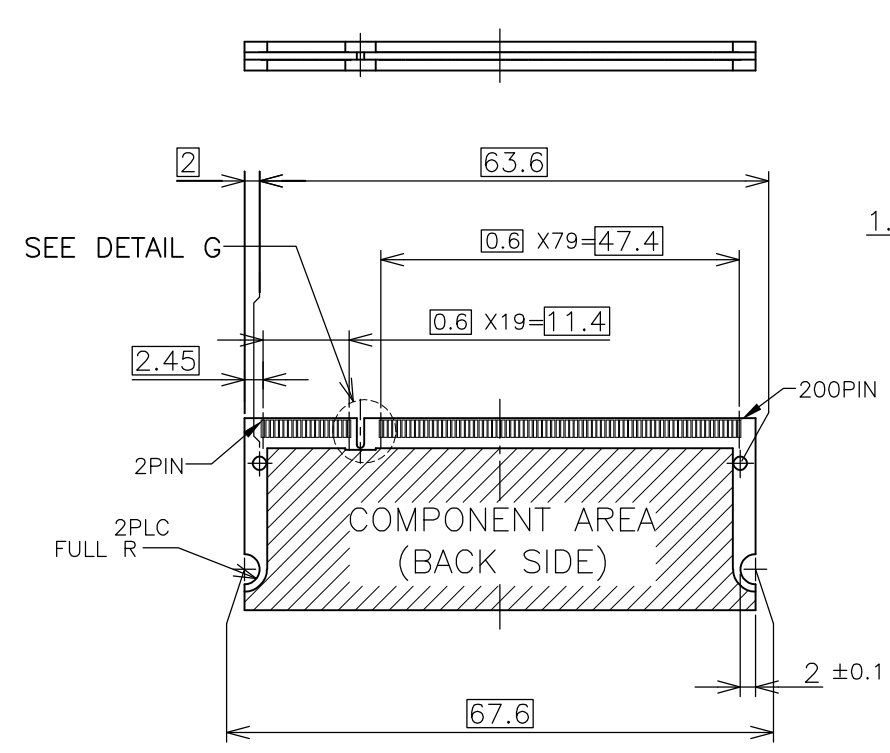
THIS DRAWING IS A CONTROLLED DOCUMENT.		DWN	<b>STE</b> TE Connectivity	
DIMENSIONS: mm		CHK		
TOLERANCES UNLESS OTHERWISE SPECIFIED:		APVD	NAME	
0 PLC	±	PRODUCT SPEC	DDR1 & DDR2 SODIMM SOCKET	
1 PLC	±	APPLICATION SPEC	0.6mm PITCH 200POS	
2 PLC	±	WEIGHT	6.5 HEIGHT REVERSE TYPE	
3 PLC	±	CUSTOMER DRAWING	SIZE	CAGE CODE
4 PLC	±		A3	00779
ANGLES	±		DRAWING NO	RESTRICTED TO
FINISH	±		C-1612773	
SCALE			SHEET	REV
2:1			2 OF 4	G2

THIS DRAWING IS UNPUBLISHED. RELEASED FOR PUBLICATION JUL ,2002.  
 © COPYRIGHT 2002 By - ALL RIGHTS RESERVED.

LOC	DIST	REVISIONS			
P	LTR	DESCRIPTION	DATE	DWN	APVD
J		SEE SHEET 1	-	-	-



- (APPLIED TO SHEET 3)
1. TOLERANCES ON ALL DIMENSIONS ±0.15 UNLESS OTHERWISE SPECIFIED.
  2. P.C.BOARD THICKNESS APPLIES ACROSS TABS AND INCLUDES PLATING AND/OR METALIZATION.
  3. FINISH OF PAD : GOLD PLATING 0.00076 MIN. OVER Ni PLATING 0.002MIN.
- △ NO BURR  
 △ CHAMFER 0.25 MAX x 45° IF EXIST.



推奨基板仕様  
 RECOMMENDED MATING P.C.B CONFIGURATION

THIS DRAWING IS A CONTROLLED DOCUMENT.		DWN
DIMENSIONS: mm		CHK
TOLERANCES UNLESS OTHERWISE SPECIFIED:		APVD
0 PLC	±	PRODUCT SPEC
1 PLC	±	APPLICATION SPEC
2 PLC	±	WEIGHT
3 PLC	±	
4 PLC	±	
ANGLES	±	
FINISH		
MATERIAL		

31.75	1.8V	17.55	2.4	2.7
25.4	2.5V	18.45	1.5	1.8
H	POWER SUPPLY	D5	D4	D3

STE TE Connectivity

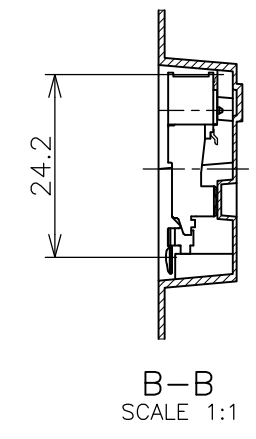
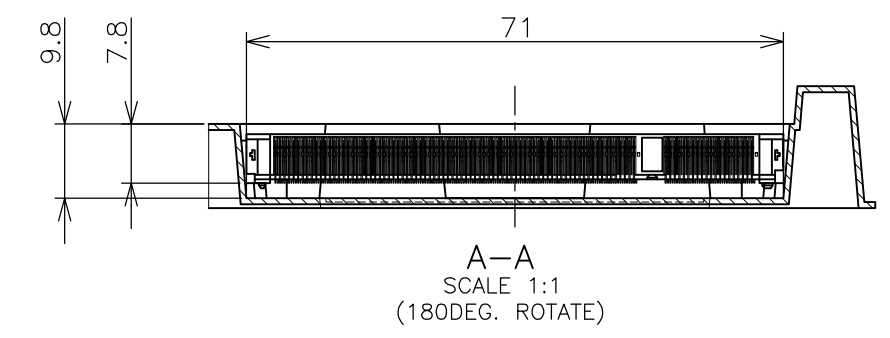
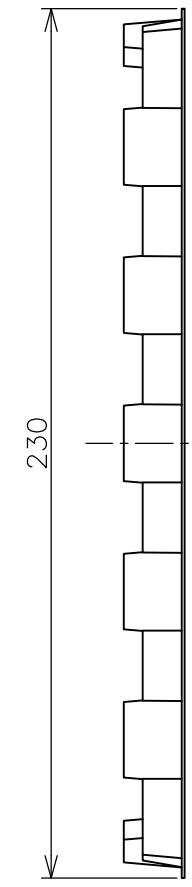
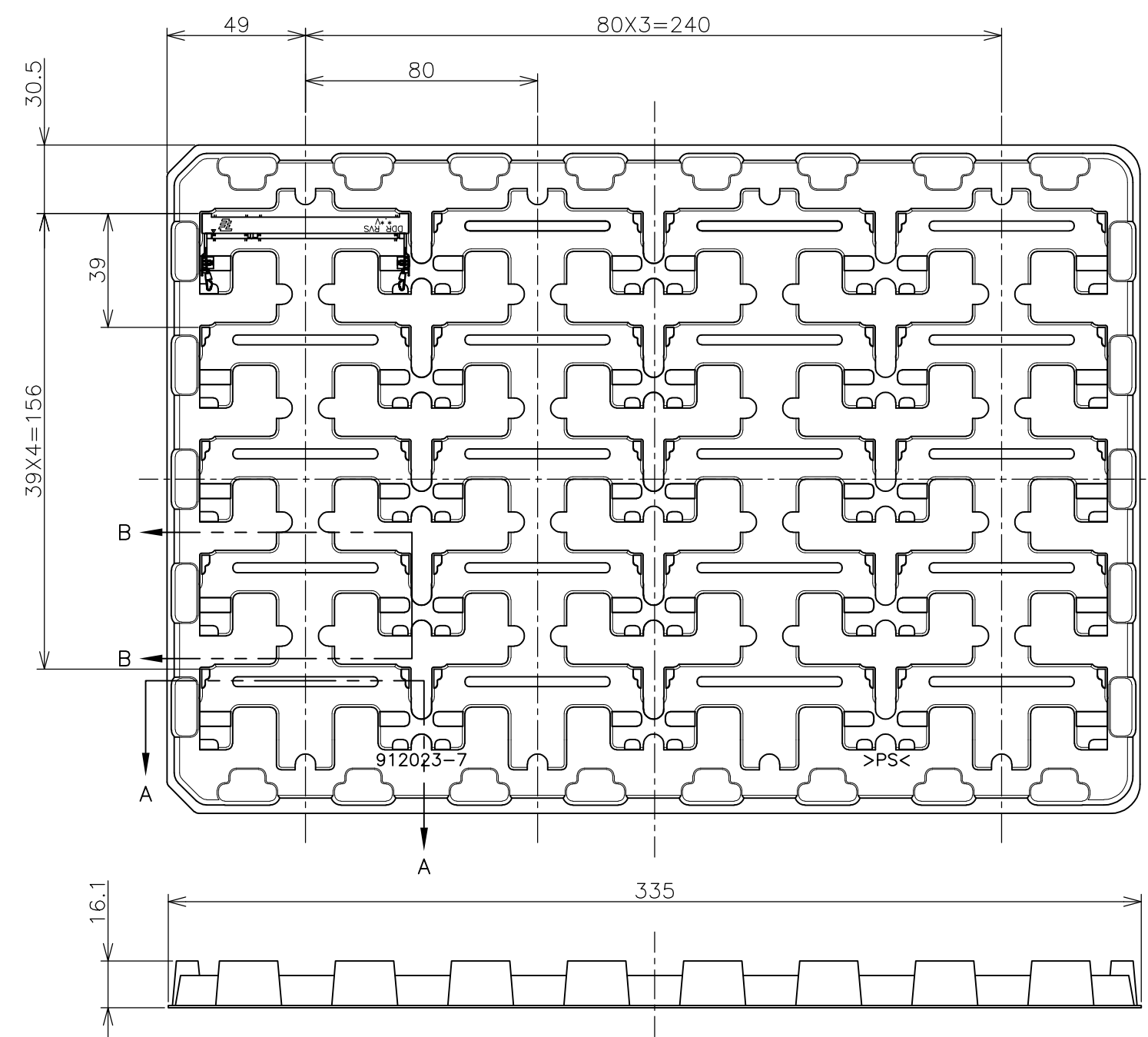
NAME: DDR1 & DDR2 SODIMM SOCKET  
 0.6mm PITCH 200POS  
 6.5 HEIGHT REVERSE TYPE

SIZE	CAGE CODE	DRAWING NO	RESTRICTED TO
A3	00779	C-1612773	

CUSTOMER DRAWING SCALE 1:1 SHEET 3 OF 4 REV G2

THIS DRAWING IS UNPUBLISHED. RELEASED FOR PUBLICATION JUL ,2002.  
 © COPYRIGHT 2002 By - ALL RIGHTS RESERVED.

LOC	DIST	REVISIONS			
P	LTR	DESCRIPTION	DATE	DWN	APVD
J		SEE SHEET 1	-	-	-



1. THE DIRECTION OF EACH CONNECTOR ON A TRAY IS REFERRED TO THIS DRAWING.
2. GENERAL TOLERANCE: ±0.5

20EA/TRAY	5-1612773-4
20EA/TRAY	1-1612773-4
20EA/TRAY	1612773-4
20EA/TRAY	5-1612773-1
20EA/TRAY	1612773-1
QTY	P/N

THIS DRAWING IS A CONTROLLED DOCUMENT.		DWN	TE Connectivity NAME DDR1 & DDR2 SODIMM SOCKET 0.6mm PITCH 200POS 6.5 HEIGHT REVERSE TYPE			
DIMENSIONS: mm		CHK				
TOLERANCES UNLESS OTHERWISE SPECIFIED:		APVD				
0 PLC ± 1 PLC ± 2 PLC ± 3 PLC ± 4 PLC ± ANGLES ± FINISH ±		PRODUCT SPEC				
MATERIAL		APPLIC. SPEC	SIZE	CAGE CODE	DRAWING NO	RESTRICTED TO
		WEIGHT	A3	00779	C-1612773	
CUSTOMER DRAWING			SCALE	SHEET	REV	
			1:2	4 OF 4	G2	